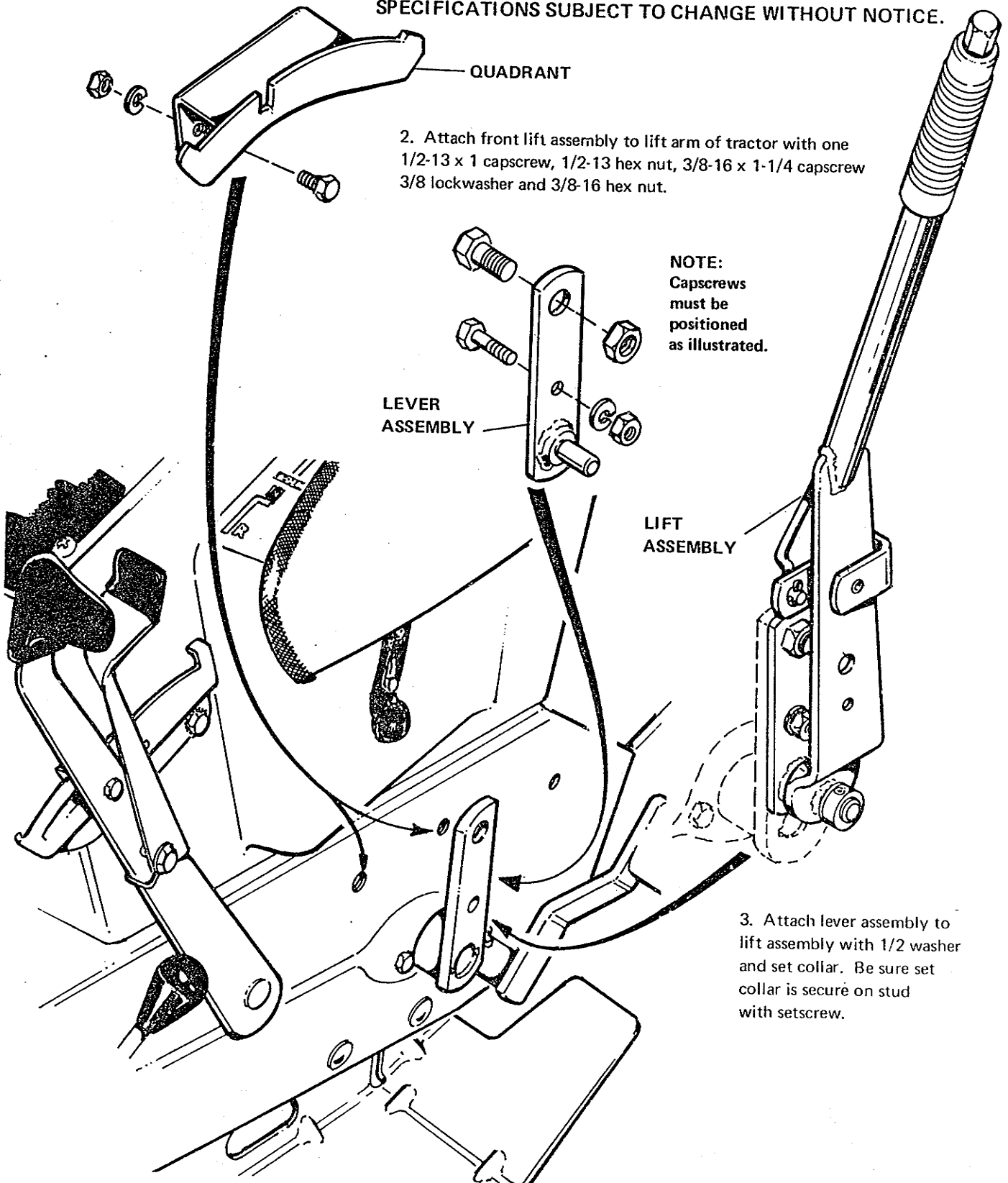


OPERATOR'S MANUAL
DUAL LIFT LEVER KIT
MFG. NO. 1690044

FOR LATE MODEL TRACTORS

1. Attach quadrant assembly to tractor with two 3/8"-16 x 3/4 capscrews, 3/8 lockwashers and 3/8-16 hex nuts.

SPECIFICATIONS SUBJECT TO CHANGE WITHOUT NOTICE.

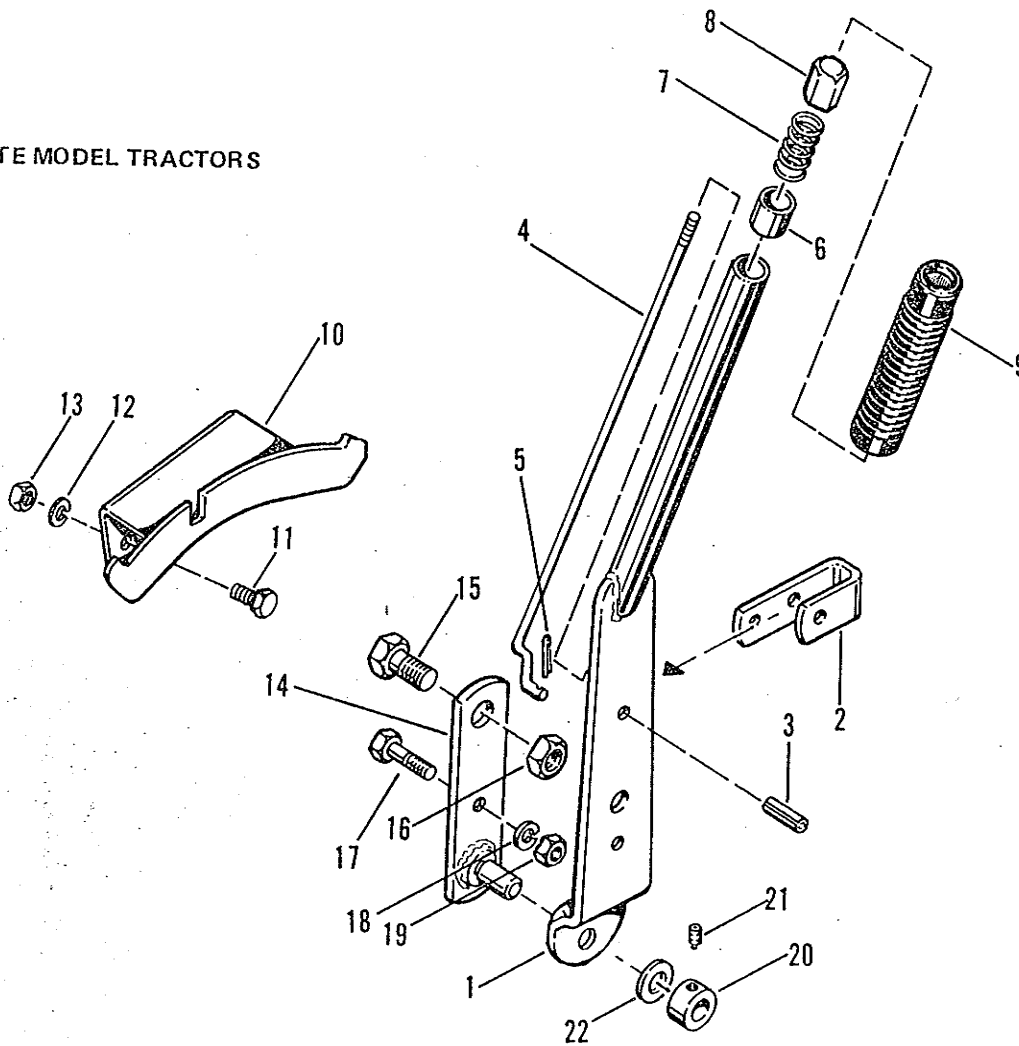


2. Attach front lift assembly to lift arm of tractor with one 1/2-13 x 1 capscrew, 1/2-13 hex nut, 3/8-16 x 1-1/4 capscrew 3/8 lockwasher and 3/8-16 hex nut.

NOTE:
Capscrews
must be
positioned
as illustrated.

3. Attach lever assembly to lift assembly with 1/2 washer and set collar. Be sure set collar is secure on stud with setscrew.

FOR LATE MODEL TRACTORS



Ref. No.	Qty.	Description
1	1	LIFT LEVER ASSY.
2	1	LIFT LEVER LATCH
3	1	PIN, Roll, 3/8-1
4	1	ROD, Latch
5	1	PIN, Cotter, 3/32x3/4
6	1	SPACER
7	1	SPRING
8	1	BUTTON, Thumb
9	1	GRIP, Handle
10	1	QUADRANT ASSY.
11	2	CAPSCREW, Hex, 3/8-16 x 3/4
12	2	LOCKWASHER, 3/8
13	2	NUT, full hex, 3/8-16

Ref. No.	Qty.	Description
14	1	FRONT LIFT LEVER ASSEMBLY
15	1	CAPSCREW, Hex, 1/2-13 x 1
16	1	LOCKNUT, Center jam, 1/2-13
17	1	CAPSCREW, Hex, 3/8- 16 x 1-1/4
18	1	LOCKWASHER, 3/8
19	1	NUT, Hex, 3/8-16
20	1	COLLAR, Set
21	1	SETSCREW, 5/16- 18 x 1/4
22	1	WASHER, Flat, 1/2

FOR EARLIER MODEL TRACTORS

1. On right side of tractor frame, locate mounting hole, (1, Figure 1) above lift lever shaft and at upper edge of tractor frame. With nut on inner surface of frame, align nut retainer (2, Figure 1) with mounting hole.

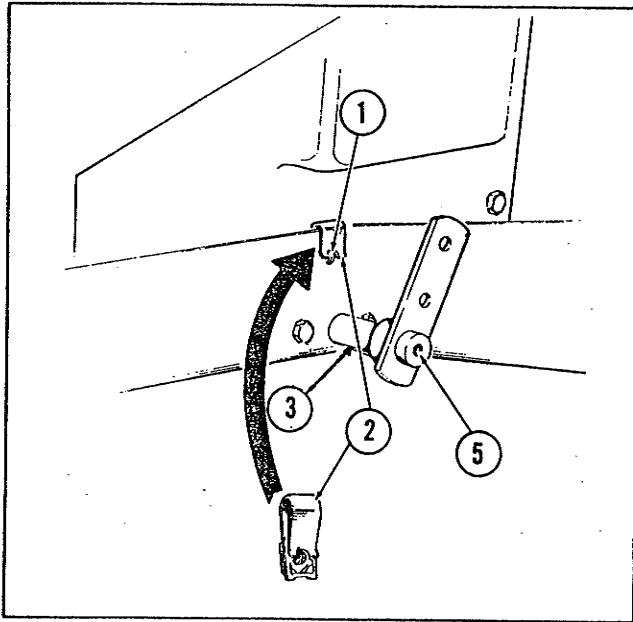


Figure 1.

2. Remove two capscrews, (3, Figure 1) from each side of lift lever shaft and, using removed capscrews, mount quadrant assembly (4, Figure 2) to side of tractor frame. Insert a capscrew (4, Figure 3) and lockwasher (19) into upper mounting hole of quadrant and tighten into nut retainer installed in step 1.

3. Try capscrews (21 and 24, Figure 3) in lift lever mounting hole (5, Figure 1).

a. If 7/16-inch diameter capscrew (24, Figure 3) fits hole, place a spacer (22) in large hole in end of lift lever assembly. Position two flat washers (25) on each side of spacer. Secure washers, spacer, and lift lever assembly (5) to end of lift lever shaft with capscrew (24) and lockwasher (23). See Figure 2, 5. Tighten capscrew (24) securely.

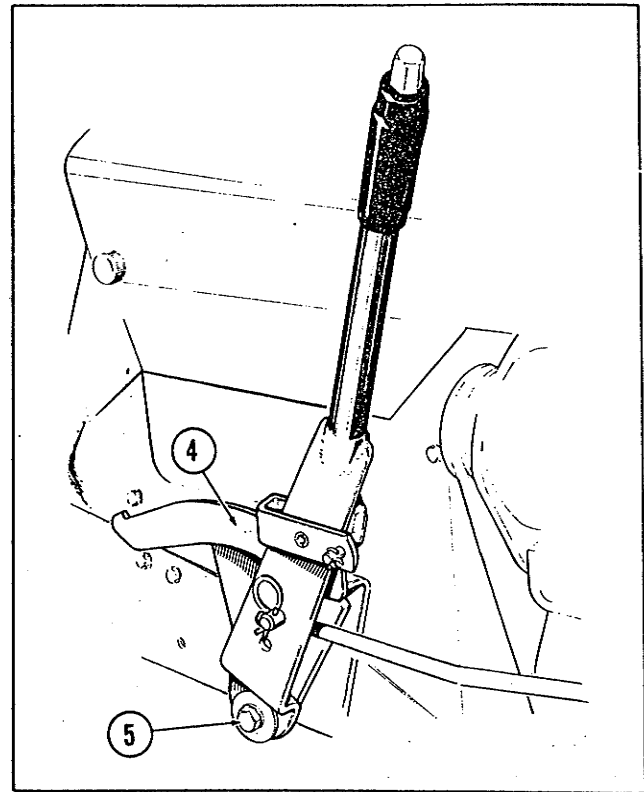
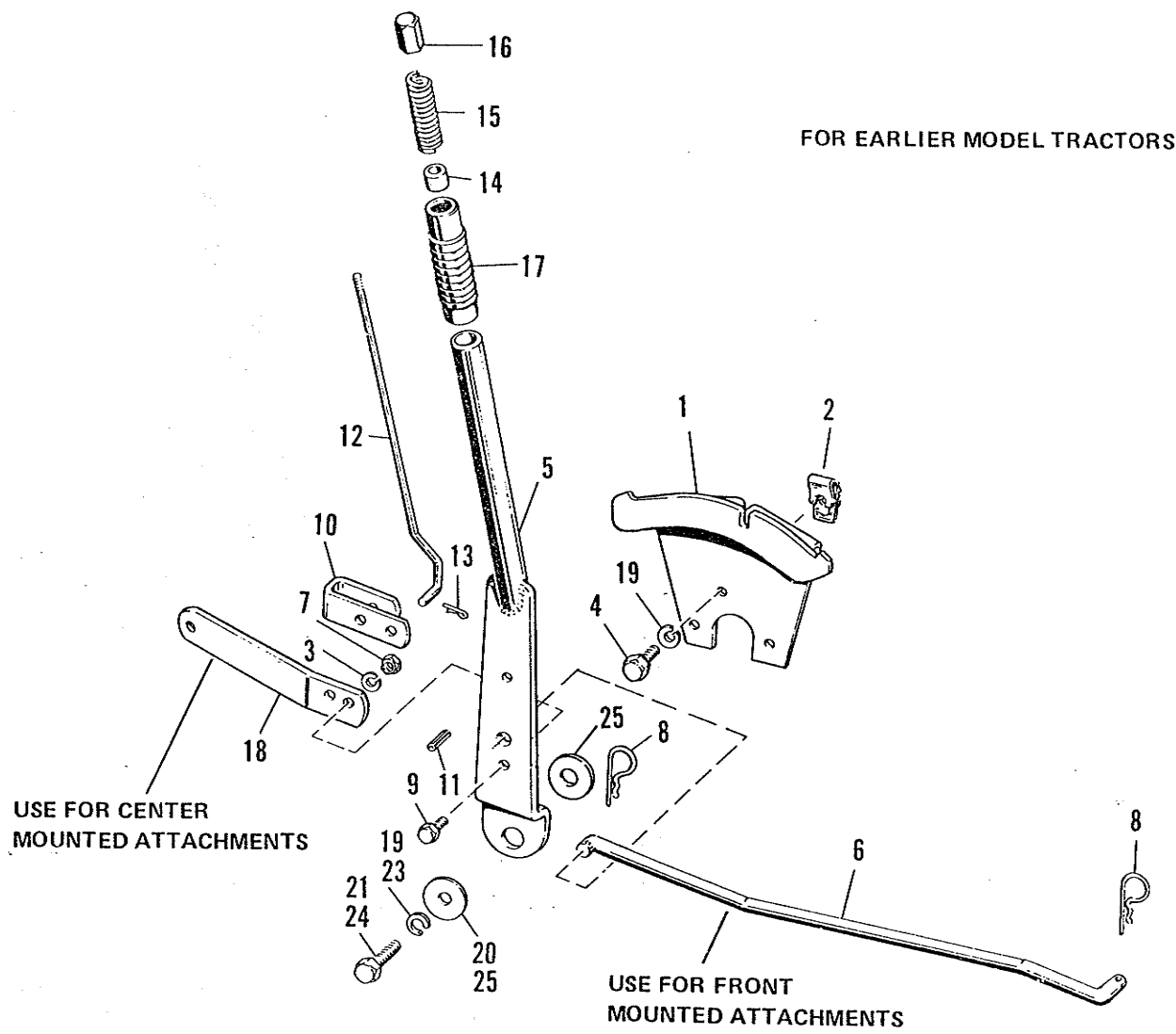


Figure 2.

b. If 5/16-inch diameter capscrew (21, Figure 3) fits hole, place lift lever assembly on shaft and secure with capscrew (21), lockwasher (19) and flat washer (20).

4. For use with front mounted attachments, secure front lift rod (6, Figure 3) in lift lever assembly mounting hole with hairpin clip (8).

5. For use with center mounted attachments, attach lift lever (18, Figure 3) to inside flat face of lift lever assembly (5) with a capscrew (9), lockwasher (3), and nut (7).



FOR EARLIER MODEL TRACTORS

USE FOR CENTER MOUNTED ATTACHMENTS

USE FOR FRONT MOUNTED ATTACHMENTS

Ref. No.	Qty.	Description
1	1	QUADRANT ASSY.
2	1	NUT, Retainer
3	1	LOCKWASHER, 3/8
4	1	CAPSCREW, Hex, 5/16-18 x 3/4
5	1	LEVER ASSY., Lift.
6	1	ROD, Lift, Front
7	1	NUT, Hex 3/8-16
8	2	CLIP, Hairpin
9	1	CAPSCREW, Hex, 3/8-16 x 7/8
10	1	LATCH, lift lever
11	1	PIN, Roll, 3/8 x 1
12	1	ROD, Latch
13	1	PIN, Cotter, 3/32 x 3/4

Ref. No.	Qty.	Description
14	1	SPACER
15	1	SPRING
16	1	BUTTON, Thumb
17	1	GRIP, Handle
18	1	LEVER, Lift
19*	1	LOCKWASHER, 5/16
20*	1	WASHER, Flat, 5/16
21*	1	CAPSCREW, Hex, 5/16-18 x 5/8
22**	1	SPACER
23**	1	LOCKWASHER, 7/16
24**	1	CAPSCREW, Hex, 7/16-14 x 1-1/2
25**	2	WASHER, Flat, 7/16

* Use with lift lever shaft having 5/16-inch lift lever mounting hole.
 ** Use with lift lever shaft having 7/16-inch lift lever mounting hole.

Figure 3.